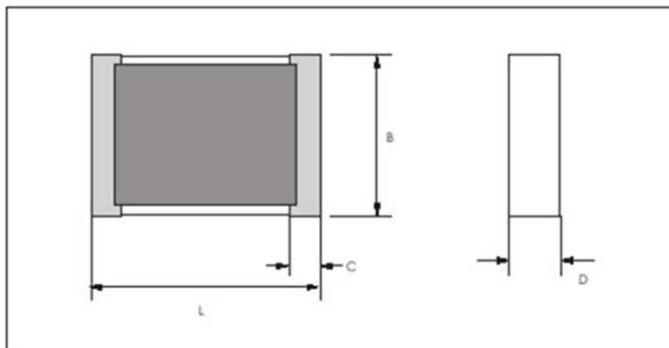




Construction



Features

- Thin film technology
- Contact areas tinned—resistant to leaching
- Resistance element resin—passivated
- Close tolerances(0.05%)—low TCR(5ppm/K)
- Extreme low noise

Dimensions(mm)

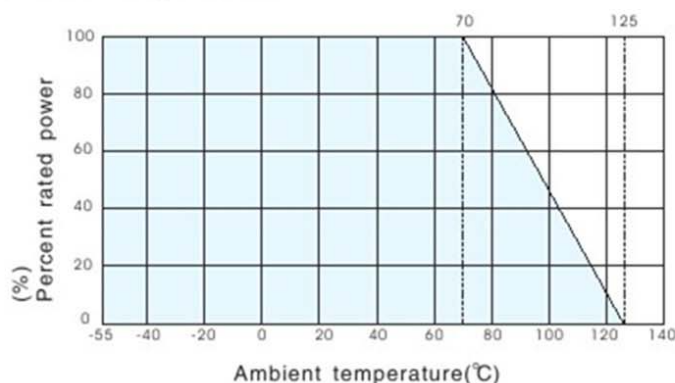
Type	L	B	D	C
0603	1.6 ^{+0.1}	0.8 ^{+0.1}	0.45 ^{+0.1}	0.3 ^{+0.2}
0805	2.0 ^{+0.1}	1.25 ^{+0.1}	0.55 ^{+0.1}	0.4 ^{+0.2}
1206	3.2 ^{+0.2}	1.6 ^{+0.15}	0.55 ^{+0.1}	0.5 ^{+0.2}
2512	6.3 ^{+0.2}	3.2 ^{+0.2}	0.55 ^{+0.2}	0.5 ^{+0.2}

L=Length,B=Width,D=Thickness,
C=Width of wraparound (in mm)

Applications

- Computers
- Telecom and wireless
- Meters and instruments
- Electrical devices

Derating Curve



Reference Standards

Q/ATK059

Technical Specifications

Type	Power rating P ₇₀ (mW)	Working voltage(V)
0603	65	75
0805	125	100
1206	250	200
2512	750	300 ⁽¹⁾

Type	Resistance ranges/Tolerances/TCR(PPM/°C) ¹⁾							
	5R1~10R	10R~47R	47R~100R	100R~332K	332K~1M	1M~2M	2M~5M	5M~15M
0603	/	0.1/.../1% TC25/50	0.1/.../1% TC10/.../50	0.1/.../1% TC5/.../50	/	/	/	/
0805	/	0.1/.../1% TC25/50	0.1/.../1% TC10/.../50	0.05/.../1% TC5/.../50	0.1/.../1% TC10/.../50	/	/	/
1206	1% Tc50	0.1/.../1% TC25/50	0.1/.../1% TC10/.../50	0.05/.../1% TC5/.../50	0.05/.../1% TC10/.../50	0.1/.../1% TC10/.../50	/	/
2512	1% Tc50	0.1/.../1% TC25/50	0.1/.../1% TC10/.../50	0.05/.../1% TC5/.../50	0.05/.../1% TC5/50	0.25/.../1% TC5/.../50	0.1/.../1% TC10/.../50	0.25/.../1% TC10/.../50

¹⁾1000V for special applications

²⁾TC5/10/15:Temperature range+25°C~+85°C

Performance

Temperature range	Climatic category acc.to IEC 60068	Solderability acc.IEC60068-2-58	Max.Soldering temperature acc.IEC60068-2-58
-55°C~125°C	55/125/56	235°C 2s	260°C 10s

Long term stability	Storage 125°C/1000h	Load P ₇₀ /70°C/1000h	Damp heat(56d/40°C/96%)
≥ 47R	< 0.15%	< 0.1%	< 0.15%
< 47R	< 0.25%	< 0.25%	< 0.5%

Data not specified according to CECC40401-802

How To Order

Example

CMF	0603	65mW	100Ω	± 0.05%	± 10PPM	tape/bag
Type	Style	Power	Nominal Value	Tolerance	TCR	Packaging
CMF	0603 0805 1206 1210 2512	65mW 125mW 250mW 400mW 750mW	100Ω	± 0.05% ± 0.1% ± 0.25%	± 10PPM ± 25PPM ± 50PPM	tape bag

If no requirements for TCR and taping, the standard TCR (highest value in table) will be supplied and packaging is bulk.